

Paramount

POOL PRODUCTS

OVER
30 YEARS
SERVICE TO THE
INDUSTRY



LED
LIGHTING

A patented high strength ABS, UV treated, low energy LED lighting system for above and below ground pools

Exclusive high frequency welded Polycarbonate Lenses that guarantee a perfect waterproof unit

Unique LED lenses that diffuse light in a way that balances the colours in the water

Offers stable Voltage connection and conforms to EC and Rohs standards

2 year guarantee

'THE NEW GENERATION IN LED POOL LIGHTING'

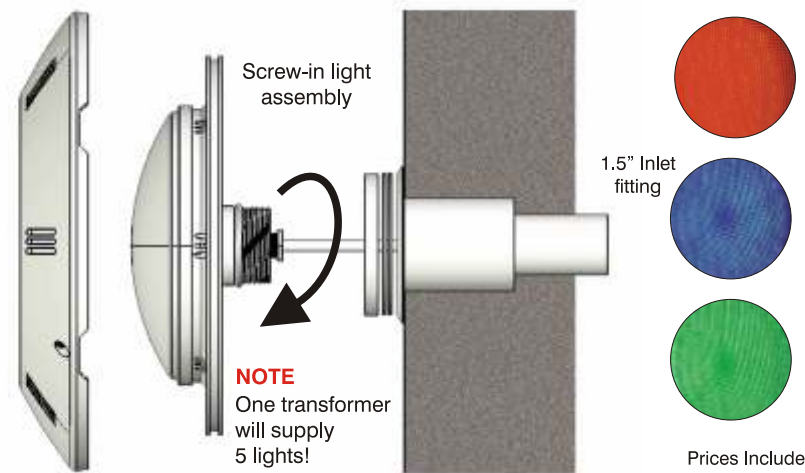


LED Mood Lighting for INGROUND POOL installations

Introducing an LED lighting system that requires no tools to fit to your pool structure! The unique (patented) UNIVERSAL FLAT LIGHT SYSTEM that is secured to the pool wall by simply screwing into a dedicated standard 1.5" threaded female (supplied) fitting!

Conventional light systems require an approximate 300mm dia. internal housing (niche) to be installed into the pool wall structure to house the lighting system. This is time consuming and prone to leaks if not installed correctly. Installing the Seamaid LED lighting system is far easier, quicker and more reliable!

Also ideal for all liner & concrete refurbishment! Many pool lighting replacement parts are no longer available. By installing a threaded fitting or conversion kit into an existing niche housing a universal flat light can be installed.



- 1312-B WHITE Universal LED Flat Light £240.00
- 1313-B RGB Universal LED Flat Light (with remote control) £240.00
- 1314-B Deck Box, conduit & Wall Fitting £60.00
- 1315-B LED 12v Transformer (will supply 1-5 lights) £85.00

Important Note - All lights are supplied with 1.5" threaded wall fitting. Standard Certikin fittings are not suitable.

TECHNICAL DATA	SYSTEM SEAFPLWH	PAR56 RGB LAMP
Colour	White day light 5000/7000 °k	RGB (Red, Green, Blue)
Led quantity	270 Leds ultra-bright 5mm	270 Leds ultra-bright 5mm (90pcs per colour)
Diffusion angle	40/45 deg	40/45 deg
Programmes	unique	11 static colours and 5 automatic modes
Control	On/Off manual	On/Off manual with memory and/or radio remote controller
Luminous flux	880 lumnens±10%	370 lumnens±10%
External connection	2 screw terminal	2 screw terminal
Operating voltage	12V AC / 50-60Hz	12V AC / 50-60Hz
Current	1.2A±10% max. (AC 12V)	1.2A±10% max. (AC 12V)
Consumption	14W±5%(AC 12V)	15W±10%(AC 12V)
Bulb Material	Polycarbonate lens ABS cup	Polycarbonate lens ABS cup
Dimensions	Dia 290mm, high 75mm	Dia 290mm, high 75mm
Net weight	650g	650g
Protection Value	IP68 100% water proof	IP68 100% water proof

® International Patent

"A NEW GENERATION OF LED POOL LIGHTING"



Conversion kits available for existing Certikin halogen and 300 watt lights!



Available in White or RGB

RGB Available in Spring 09

Why not consider adding another light! Simply fit another inlet into the pool wall and make the necessary electrical connection - talk to your pool dealer for more details.

The 2 metre power supply cable is connected through an 1.5" inlet fitting to an electrical connection box (provided).

ABS removable trim with slots for water circulation
Polycarbonate lens ultrasound welded.

Power supply cable section 2 x 0.75mm².

Each product fulfils the EC and Rohs requirements and is distributed with a 24 month guarantee. The Seamaid lightings are manufactured and imported by PPLV TRADIND SIA under cover of international patents.



Recommended lighting guide for new pool installations.

Ultimately, sizing the lighting for a pool is down to the personal preferences of the individual. What may be suitable for one may not be for another! You need to decide what type of lighting is required i.e. subtle, harmonised coloured lighting using RGB lenses or the more traditional white lighting. Surround pool lighting should also be taken into consideration.

As an example for a 10 x 5m pool we would recommend that 2 x LED lights (one per 25 sqm) are installed (on opposite sides) distributed equally along the length of the pool.

If in doubt, why not install another inlet fitting into the pool structure so that you can add another light in the future!

LED Mood Lighting for ABOVE GROUND POOL installations



Note: Check with your dealer to make sure that your pool has a standard inlet fitting. Hole diameter of light fitting is 60mm.

AGL Lights are not suitable for above ground pools with flexible PVC walls.

Each product fulfils the EC and Rohs requirements and is distributed with a 24 month guarantee. The Seamaid lightings are manufactured and imported by PPLV TRADIND SIA under cover of international patents.

Leds lighting kit for above ground swimming pool

Compatible with any above ground pool with rigid wall, this new lighting system is installed on an existing outlet fitting.

The outlet swivel maintains it against the pool panel ABS support to fix on the outlet fitting.

ABS removable trim with mouths for water circulation Polycarbonate lens ultrasounds welded.

Power supply cable section 2x0.75 mm² with 6 meters length.

Transformer Plug 220V/12VAC.

Radio remote controller 4 channels provided

TECHNICAL DATA

PAR56 WHITE LAMP

TECHNICAL DATA	PAR56 WHITE LAMP
Colour	RGB (Red, Green, Blue)
Led quantity	216 Leds ultra-bright 5mm (72 pcs per colour)
Diffusion angle	40/45 deg
Programmes	11 static colours and 5 automatic modes
Control	On/Off manual with memory and/or radio remote controller
Luminous flux	250 lumnens±10%
External connection	Cable with plug to screw on 220/12V transformer
Operating voltage	12V AC / 50-60Hz
Current	1.33A±10% max. (AC 12V)
Consumption	16W±10%(AC 12V)
Material	Polycarbonate lens ABS support and trim
Dimensions	Dia 214mm, high 340mm
Net weight	850g
Protection Value	IP68 100% water proof

® International Patent

Another LED lighting system that requires no tools to fit to your pool structure and is compatible with most above ground pools! The unique (patented) RGB AGL LIGHT (above ground LED) is secured onto the pool wall utilising the inlet fitting that is already installed in your swimming pool! Dependant on the age and model or the pool the inlet may not be suitable and a replacement necessary (approximate cost is £10).

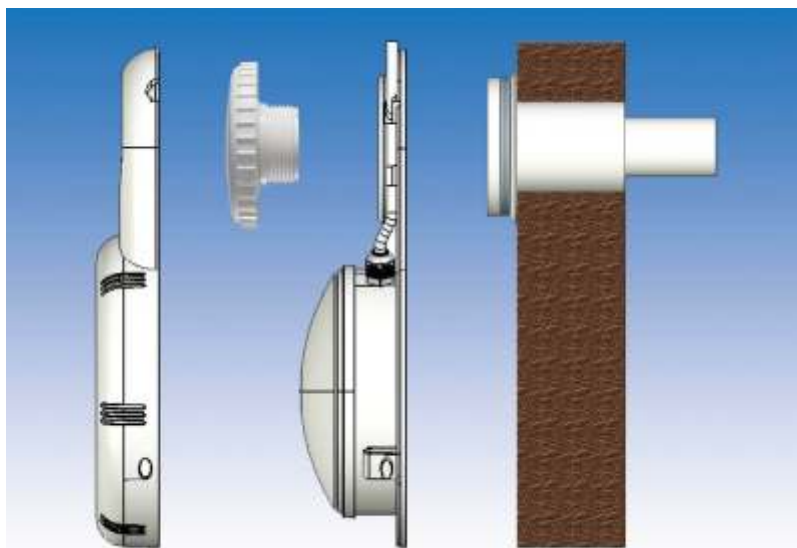
The AGL light has an RGB (red, green, blue) LED bulb that can emit up to eleven different mood lighting effects! All AGL lights are operated using a remote control (provided) to turn the light on or off or to programme up to five different automatic lighting modes!

Supplied with 6m of cable that is attached to a Transformer-plug (that must be connected indoors) the light can be installed in a matter of minutes. If you need to extend the cable please contact a qualified electrician.

1318-B Above Ground Pool RGB LED Light
Above includes Plug (with European Adaptor),6m Cable

£255.00

Inc. VAT



did you know?

On the 27th September 2007, Secretary of State Hilary Benn announced that a number of major UK retailers and energy suppliers were leading a voluntary initiative to phase out GLS (General Lighting Service) light bulbs from the domestic market by 2011, where there is a suitable replacement, making the UK the first EU country to do this.

The initiative could, by 2012, according to DEFRA save up to 45 million tonnes of carbon dioxide a year from UK energy generation - the equivalent to the carbon emissions of a typical 1 Giga Watt coal fired power station.

"A NEW GENERATION OF LED POOL LIGHTING"

PAR56 LED REPLACEMENT BULBS




Have a light already? Want to change to LED - No Problem!

Available in White or RGB (with remote control) all LED replacement bulbs are PAR56 in design and will replace any standard Sealed beam or Halogen light!

RGB LED's emit up to eleven different lighting effects and are ideal for mood lighting. They are operated using a remote control (provided) to turn the various colours on or off or to programme up to five different automatic lighting sequences!

Note. If replacing an existing 300 or 100 Watt White light with an RGB bulb the amount of light that is emitted is reduced due to the number of LED's used i.e. 90 per colour (see technical data below for more detail).

Benefits at a glance!

-  Low energy running costs - ideal for commercial use
-  Ideal for replacing problematic Halogen/Sealed beams where voltage input is too high!
-  If water enters light housing IT WILL NOT ruin the bulb!

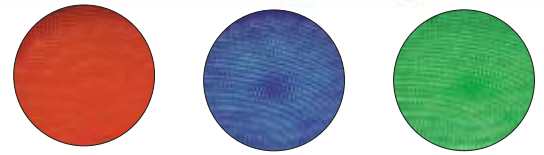
Compare the difference!

Standard Sealed Beam Bulb	300 watts
Standard Halogen Bulb	100 watts
Standard White LED Bulb	14 watts



Each product fulfils the EC and Rohs requirements and is distributed with a 24 months guarantee. The Seamaid lightings are manufactured and imported by PPLV TRADIND SIA - LATVIA under cover of international patents.

TECHNICAL DATA	PAR56 WHITE LAMP	PAR56 RGB LAMP
Colour	White day light 5000/7000 °k	RGB (Red, Green, Blue)
Led quantity	270 Leds ultra-bright 5mm	270 Leds ultra-bright 5mm (90pcs per colour)
Diffusion angle	40/45 deg	40/45 deg
Programmes	unique	11 static colours and 5 automatic modes
Control	On/Off manual	On/Off manual with memory and/or radio remote controller
Luminous flux	880 lumnens±10%	370 lumnens±10%
External connection	2 screw terminal	2 screw terminal
Operating voltage	12V AC / 50-60Hz	12V AC / 50-60Hz
Current	1.2A±10% max. (AC 12V)	1.2A±10% max. (AC 12V)
Consumption	14W±5%(AC 12V)	15W±10%(AC 12V)
Material	Polycarbonate lens ABS cup	Polycarbonate lens ABS cup
Dimensions	Dia 177mm, high 109mm	Dia 177mm, high 109mm
Net weight	400g	450g
Protection Value	IP68 100% water proof	IP68 100% water proof
Reference	SEAPAR56WH	SEAPAR56RGB



1316-B PAR56 LED Rep. Bulb - WHITE

£185.00

Inc. VAT

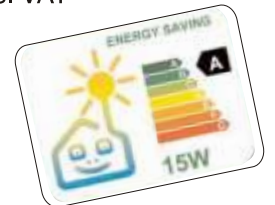
1317-B PAR56 LED Rep. Bulb - RGB

(Including remote control)

£235.00

Inc. VAT

**Commercial
Energy
Savings!**



Example - commercial pool with 10 lights

Standard 300 watt bulb x 10 lights = 3000 watts (3kW) x 10p (per Avr. kW) = 30p per hour

LED = 10 x 14 watts = 140 watts (.014 kW) x 10p - 1.5p per hour.

SAVING of 28.5p per hour x 12 hrs = **£3.42 per day (£1248 per year).**

* above kw price is approximate and will vary. For guidance only.

Dealer

"A NEW GENERATION OF LED POOL LIGHTING"